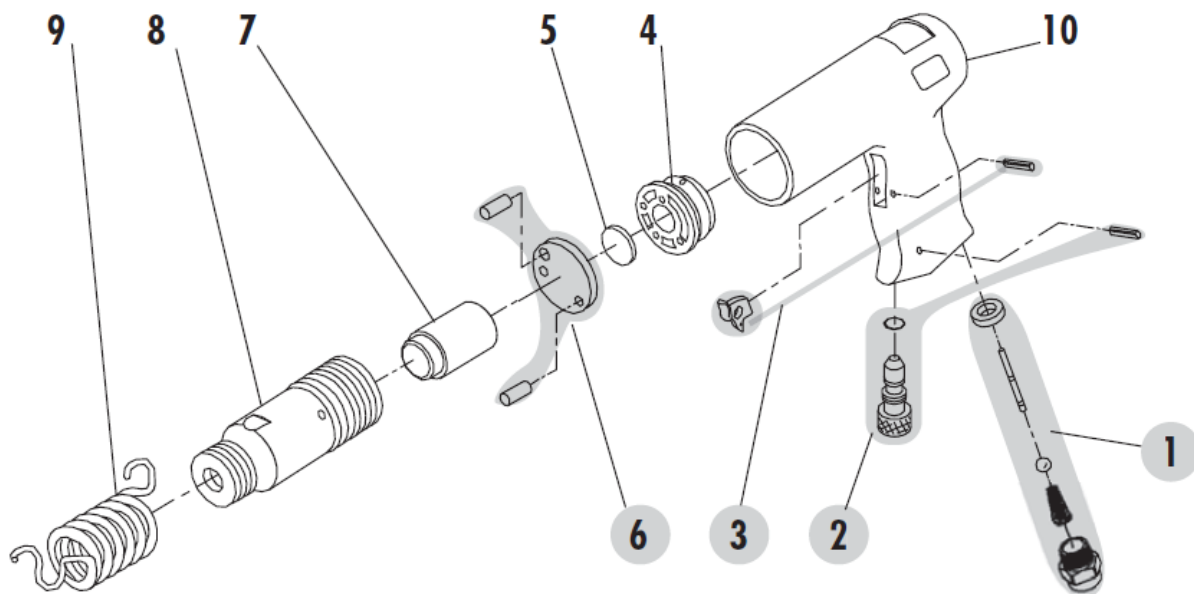


USAG 918 B

Martello con attacco esagonale

Hammer with hexagonal attachment



	CODICE / CODE	DESCRIZIONE	DESCRIPTION
1	V.320FHKR1	KIT VALVOLA REGOLAZIONE	THROTTLE VALVE KIT
2	V.320FHKR2	REGOLATORE	REGULATOR
3	V.320FHKR3	PULSANTE	TRIGGER
4	V.320FHSAV02	SEDE VALVOLA POSTERIORE	REAR VALVE SEAT
5	V.320FHSAV03	VALVOLA	VALVE
6	V.320FHKR4	SEDE VALVOLA ANTERIORE	FRONT VALVE SEAT
7	V.320FHSAV17	PISTONE	PISTON
8	V.320FHSAV18	CILINDRO	CYLINDER
9	V.310RRN1	MOLLA	SPRING
10	V.320FHSAV16	CORPO MACCHINA	BODY MACHINE